

auto electrical parts

Technical Information Sheet

Part No. 0-097-30

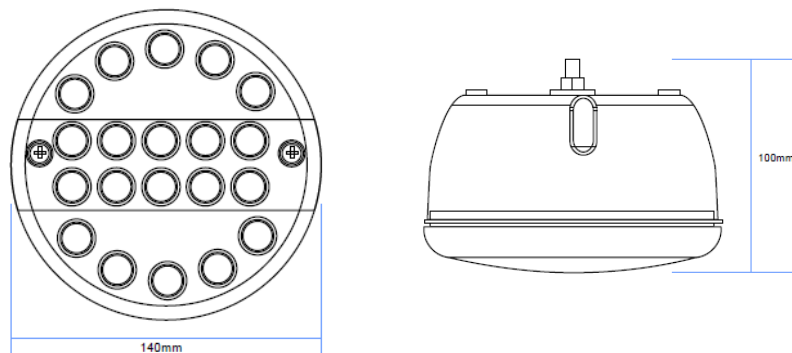
Durite's Commercial rear lamp, 12/24 volt LED, universal fitting. Stop /Tail / Direction Indicator. I 140 x w 140 x d 100mm. ECE approved.

Additional Information

Supplied with 6.3mm Tab Terminals for custom fly lead install. Functions identified within the back of the lamp.



Technical Drawing (not to scale)



Specification

Type	Commercial Rear Lamp
Light source	20 LED's
Voltage Current at 12/24v	Stop: 0.15/0.07A. Tail: 0.05/0.02. DI: 0.12/0.06
Power	Stop: 1.25W. Turning: 1.25W. DI: 0.25W
Lens	Acrylic
Body material	Housing ABS, base polycarbonate
Lead	N/A
Operating temp	-45°C to +85°C
Weight	320g
Dimensions	See diagram above
Protection	IP68
Compliance	ECE

The information contained in this document is correct to the best of our knowledge at the time of printing. However, specifications may change at any time without notice.